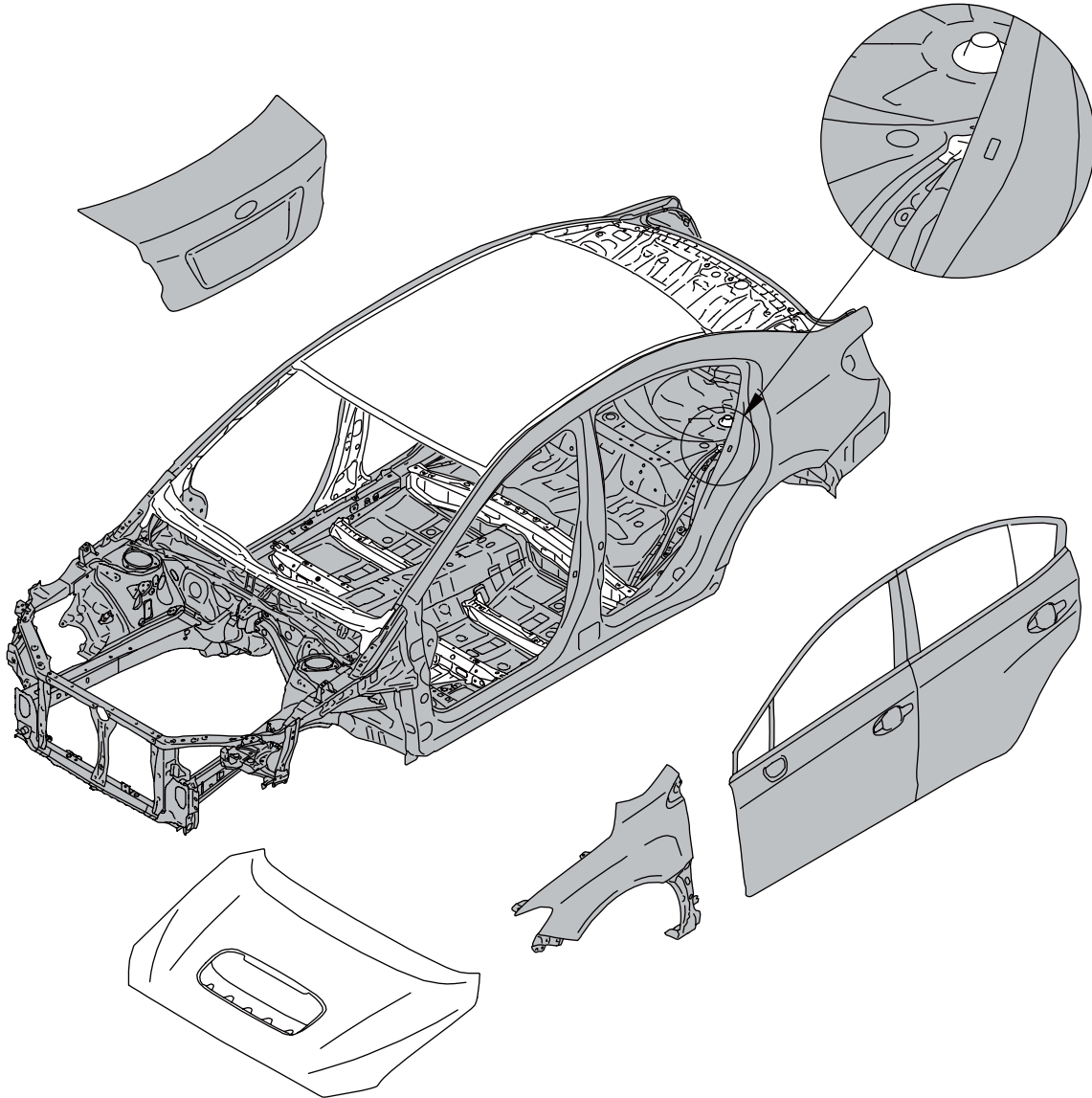


3. Galvanized Sheet Metal

A: SPECIFICATION

■ : (1)



BS-05901

- (1) Galvanized sheet metal (Both sides)

The fuel flap consists of galvanized sheet metal.